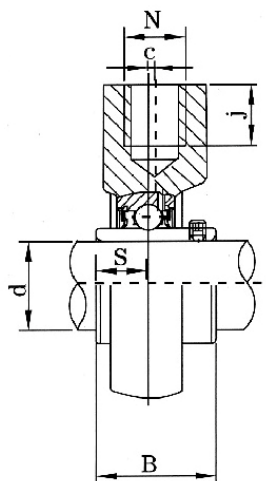
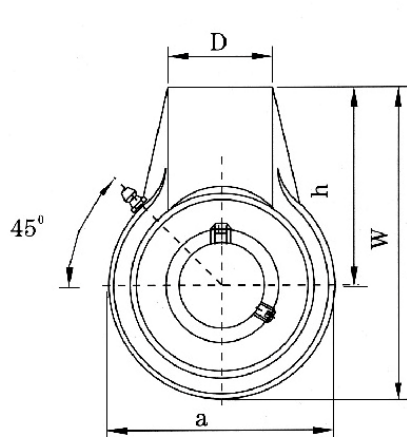


Composition:
Corps: Acier inox AISI 304 - Roulement: Acier inox AISI 440



Références	Dimensions en mm										Charges kN		Poids kg
	d Ø axe	a	D	w	h	c	j	N	B	S	Dyn C	St. Co	
SUCHA 201	12	64	40	96	64	0	19	19.05	31	12.7	10.34	5.37	0.74
SUCHA 202	15	64	40	96	64	0	19	19.05	31	12.7	10.34	5.37	0.74
SUCHA 203	17	64	40	96	64	0	19	19.05	31	12.7	10.34	5.37	0.74
SUCHA 204	20	64	40	96	64	0	19	19.05	31	12.7	10.34	5.37	0.69
SUCHA 205	25	78	40	103	64	0	19	19.05	34.1	14.3	11.31	6.34	1.00
SUCHA 206	30	78	40	103	64	0	19	19.05	38.1	15.9	15.74	9.12	1.00
SUCHA 207	35	92	40	116	70	0	19	19.05	42.9	17.5	20.75	12.44	1.38
SUCHA 208	40	96	40	121	73	2	19	19.05	49.2	19	23.49	14.37	1.64
SUCHA 209	45	108	48	136	82	5	21	25.4	49.2	19	27.54	17.20	2.08
SUCHA 210	50	118	48	142	83	5	21	25.4	51.6	19	27.46	18.81	2.61
SUCHA 211	55	126	60	150	87	7	25	31.75	55.6	22.2	35.05	23.74	2.94
SUCHA 212	60	142	60	173	102	9	28	31.75	65.1	25.4	42.31	29.23	4.40
SUCHA 213	65	166	70	200	117	9.5	32	38.10	65.1	25.4	46.18	32.28	6.61